



# ATSCO T241F-3-1/4R

## RAMMER



### AIR TOOL SERVICE COMPANY

A DIVISION OF HY-TECH MACHINE

25 LEONBERG ROAD

CRANBERRY TOWNSHIP, PA 16066

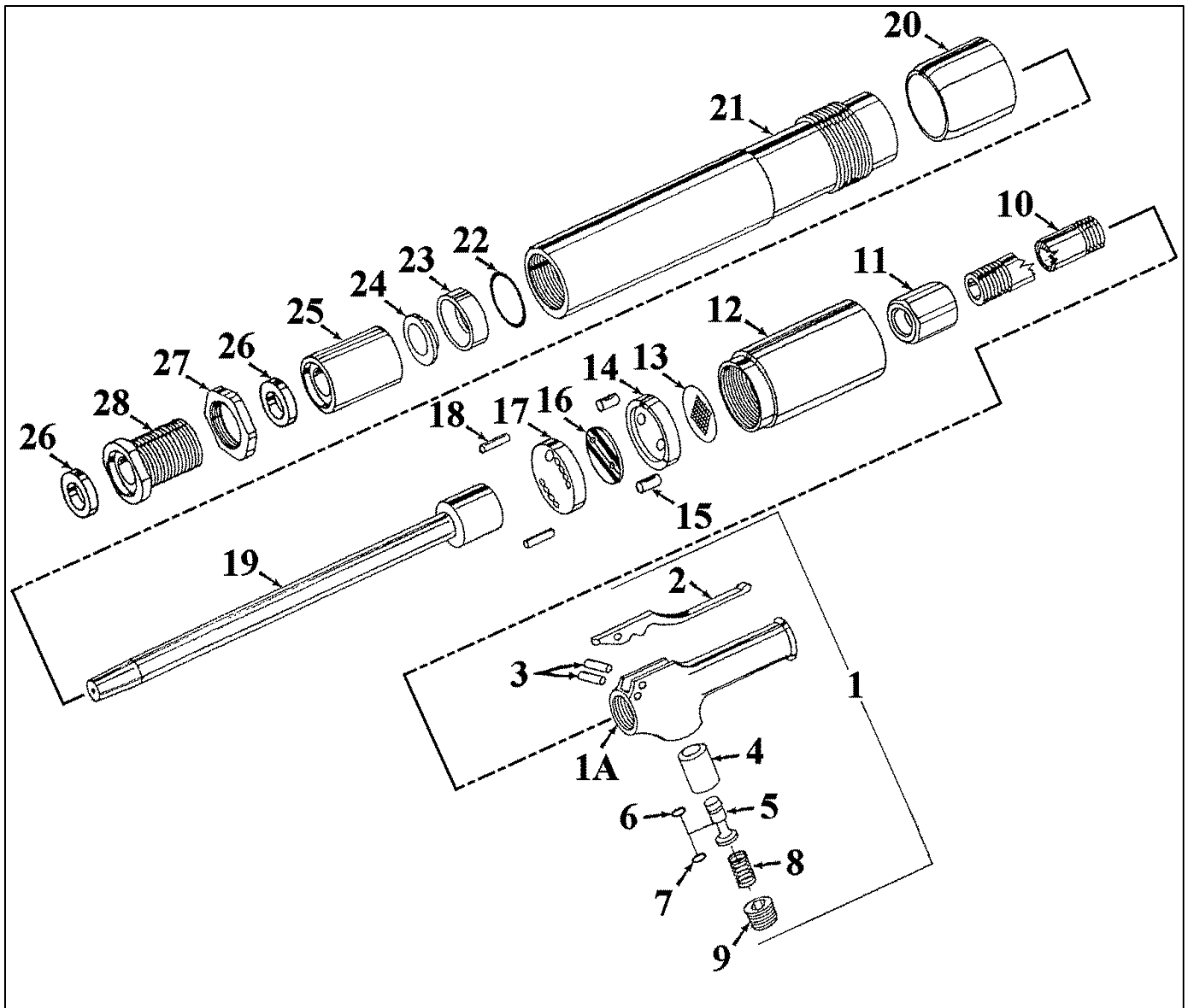
1-800-321-3554

[www.onlineatp.com](http://www.onlineatp.com)

Email: [info@hy-techinc.com](mailto:info@hy-techinc.com)

# ATSCO T241F-3-1/4R

## RAMMER



### AIR TOOL SERVICE COMPANY

A DIVISION OF HY-TECH MACHINE

25 LEONBERG ROAD

CRANBERRY TOWNSHIP, PA 16066

1-800-321-3554

[www.onlineatp.com](http://www.onlineatp.com)

Email: [info@hy-techinc.com](mailto:info@hy-techinc.com)

## ATSCO T241F-3-1/4R RAMMER

T241F-3-1/4R PARTS			NOT ILLUSTRATED (IN BUILD)	
ITEM #	ATSCO #	DESCRIPTION	ATSCO #	DESCRIPTION
1	69A-24AS	THROTTLE HANDLE ASSY. (INCL. #1A, 2, 3, 4, 5, 6, 7, 8, 9)	10-4	BENCH RAMMER BUTT
1A	69-24AS	THROTTLE HANDLE (STEEL)	ICT-10-4	BUTT INSERT (10-4)
2	31-24	THROTTLE LEVER	36A-241	EXHAUST DEFLECTOR (#20)
3	2250-1000	ROLL PIN (QTY: 2)	36B-241	DEFLECTOR RETAINER (#20)
4	27-241	BUSHING	36D-241	SILENCER (#20)
5	25-241	THROTTLE VALVE (INCL. #6, 7)	36E-241	SCREEN (#20)
6	93-9	O-RING	93-137	O-RING (36B-241)
7	93-M8X5	O-RING	93-146	O-RING (36A-241)
8	26-241	THROTTLE VALVE SPRING	<b>LUBRICATION</b>	
9	30-241	THROTTLE VALVE CAP	ATSCO rammers should be lubricated with "Blue Magic" Lubricant. It not only lubricates but also helps keep the tool clean and free of sludge and buildup, which can cause any air tool to lose its performance and efficiency. Airline filters and automatic line lubricators properly installed on your airline will improve productivity and extend tool life.	
10	35-11	EXTENSION PIPE		
11	35A-6T	LOCK NUT		
12	87-241	BACKHEAD		
13	68-IR2	SCREEN		
14	52-24	VALVE BOX LID		
15	56-24	VALVE BOX PIN (QTY: 2)		
16	54-24	VALVE	<b>ORDERING INFORMATION</b>	
17	53-241	VALVE BOX	Always include tool model, description, and quantity required when ordering.	
18	56-241	CYLINDER DOWEL (QTY: 2)		
19	2-241	PISTON		
20	36-241KIT	MUFFLER ASSY		
21	90A-241	BARREL		
22	93-230	O-RING		
23	4-241	PACKING WASHER		
24	3-241	LEATHER PACKING		
25	5-241P	PACKING GLAND (INCL. #26)		
26	5A-241	OIL SEAL (QTY: 2)		
27	7-241F	LOCKING NUT		
28	6-241S	GUIDE RETAINER (INCL. #26)		

## AIR TOOL SERVICE COMPANY

A DIVISION OF HY-TECH MACHINE

25 LEONBERG ROAD

CRANBERRY TOWNSHIP, PA 16066

1-800-321-3554

[www.onlineatp.com](http://www.onlineatp.com)

Email: [info@hy-techinc.com](mailto:info@hy-techinc.com)

**ATSCO**, A Division of Hy-Tech Machine, Inc., has been manufacturing quality replacement parts for air tools since 1957. In addition to the parts and tools illustrated in this bulletin, we offer a broad variety of repair parts for industrial and construction air tools originally manufactured by Ingersoll Rand, Chicago Pneumatic, Cleco, Thor, and many others. Our products are available through quality distributors worldwide.

We constantly monitor trends in the tool industry in search of new products to manufacture. If you have a need for a product not currently available from ATSCO, give us an opportunity to evaluate your requirement.

## **OTHER PRODUCT LINES INCLUDE:**

### **ATP:**

HEAVY DUTY PNEUMATIC TOOLS INCLUDING CHIPPING HAMMERS, IMPACT WRENCHES, SCALERS, DRILLS, AND AIR MOTORS

### **OZAT:**

QUALITY IMPACT SOCKETS AND ACCESSORIES

### **THAXTON:**

HYDROSTATIC TEST PLUGS

### **EUREKA:**

SYPHONS AND EDUCTORS

### **HY-TECH:**

CONTRACT MACHINING SERVICES

### **ATSCO:**

HEAVY DUTY PNEUMATIC TOOLS INCLUDING GRINDERS, RIVET BUSTERS, CHIPPING HAMMERS, SCALERS, RAMMERS, AND DEMOLITION TOOLS

## **AIR TOOL SERVICE COMPANY**

A DIVISION OF HY-TECH MACHINE INC.

25 LEONBERG ROAD

CRANBERRY TOWNSHIP, PA 16066

1-800-245-1148

[www.onlineatp.com](http://www.onlineatp.com)

Email: [info@hy-techinc.com](mailto:info@hy-techinc.com)