

ATP



Impact Sockets, Striking Wrenches, & Accessories



ATP – Superior Strength and Precision Turning Motion

ATP IMPACT SOCKETS AND STRIKING WRENCHES... FORGED EXCELLENCE

ATP offers one of the broadest lines of impact sockets and accessories drive sizes available in the world.

1/2"	5/8"	3/4"	1"
5 spline	1-1/2"	1-3/4"	2"
2-1/2"	3-1/2"		



Sockets available in standard and deep lengths, with **4-point, 6-point, 8-point, and 12-point** openings. Across the flat's sizes in both fractional and metric. Thin wall sockets from 1/2" to 1" square drives.



Flat 12 point striking wrenches from 7/8" to 9" sizes, and metric sizes from 22mm to 230mm. Offset 12 point sizes from 3/4" to 4-9/16" sizes.

ATP PRECISION IMPACT PRODUCTS TO IMPROVE YOUR PRODUCTIVITY

ATP Torx Head Sockets in 1/2" drive, T20 through T70 Torx sizes. 3/4" drive, T50 through T100 Torx sizes.



ATP Allen Head Sockets range from 1/2" drive through 1-1/2" square drive sizes, and from 6mm to 2-11/64" hex sizes.



ATP Impact Extensions provide both access and a strong connection across a broad range of lengths. Drive sizes from 1/2" to 2-1/2", in lengths up to 24". Pin and ball socket retention.



NEW From ATP

ATP Adapters provide flexibility and universals joints allow you to work the angles. Drive sizes in both adapters and universals from 1/2" through 2-1/2" square drives openings, and 3/8" through 3-1/2" square drive sizes.



NEW

NEW

NEW From ATP

Spark-Proof Sockets keep you productive and safe in hazardous environments. Offered in 1/2", 3/4", 1", 1-1/2", and 2-1/2" drive sizes in standard lengths.



NEW From ATP

6 Point Striking Sockets from 1-1/2" to 5-1/8" size openings, provide flexibility across the size range used with 3/4", 1", and 1-1/2" straight or offset striking wrenches.



Ret Rings along with Pins and Rings keep sockets securely fastened, aiding in safe operational use.

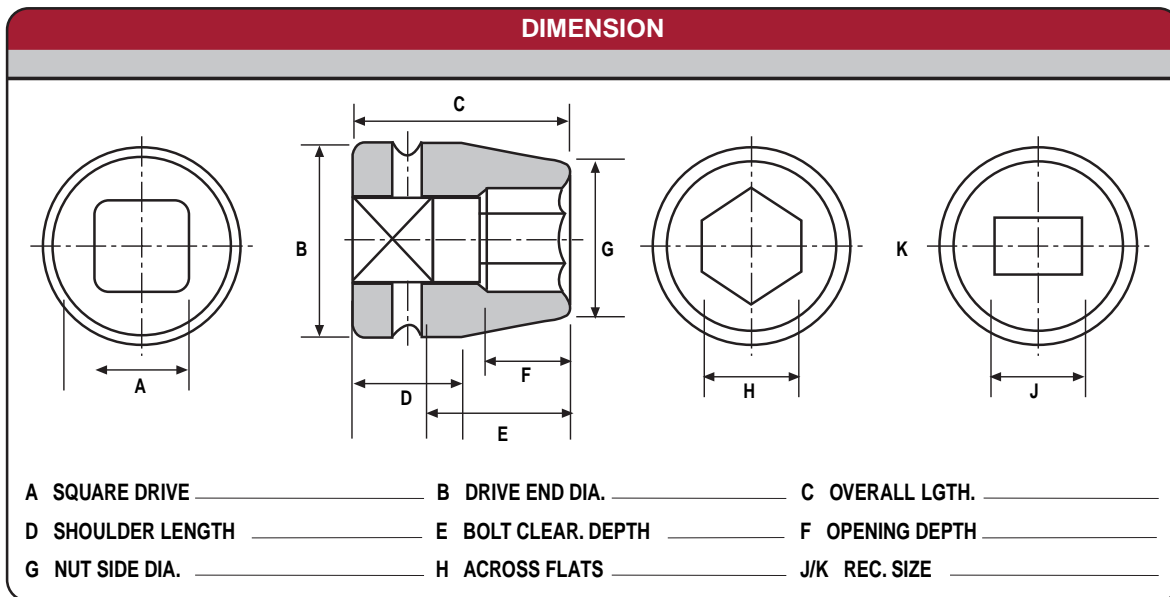
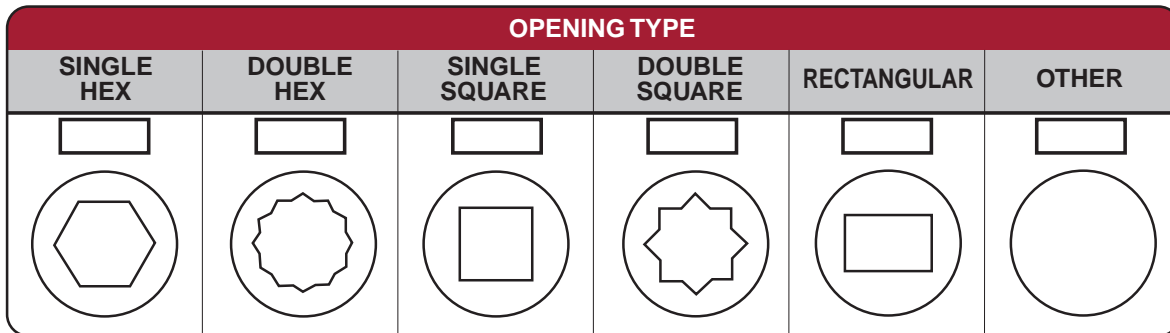
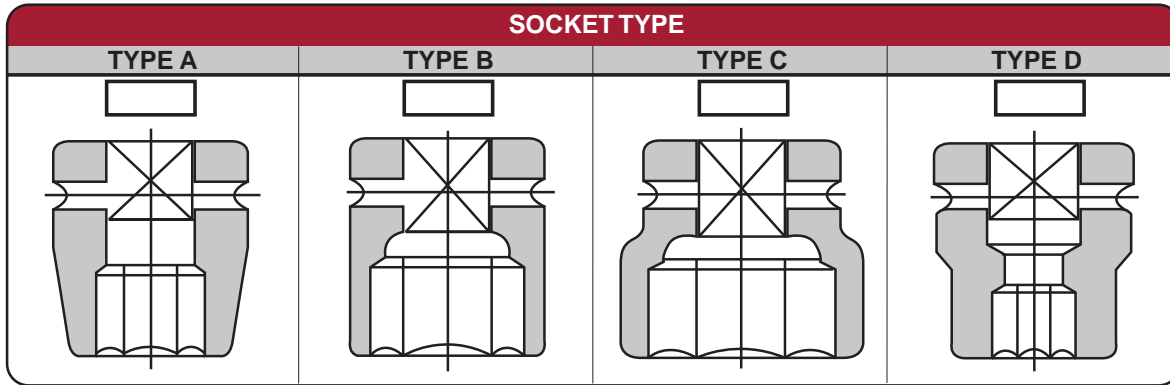


ATP NON-STANDARD SOCKET DESCRIPTION FOR QUOTATION

COMPANY: _____ CONTACT: _____

ADDRESS: _____

PHONE : _____ FAX: _____ E-MAIL: _____



APPLICATION/COMMENTS:	QUANTITY(S) _____
_____	_____
_____	_____

Send ATP socket specials request for quotation to FAX (724)-776-0227 or email to info@hy-techinc.com

25 Leonberg Road, Cranberry Township, PA 16066

HY-TECH ENGINEERED SOLUTIONS

