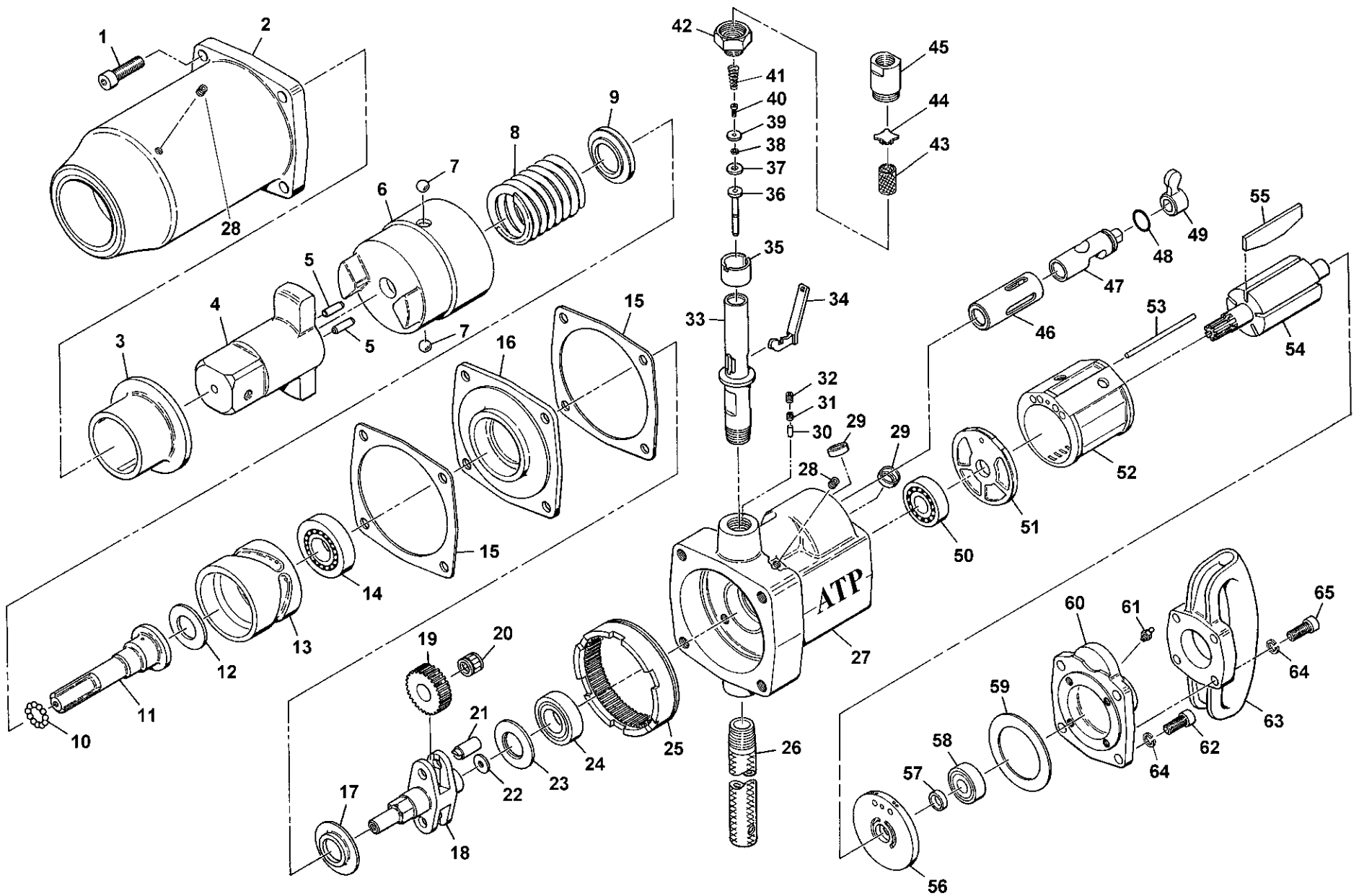


ATP 2582 LT-TH



#	PART #	DESCRIPTION	QTY.	#	PART #	DESCRIPTION	QTY.
1	ILA582A1-638	HAMMER CASE SCREW	4	35	R4H-270	THROTTLE LEVER SPACER	1
2	ILA582A1-727	HAMMER CASE	1	36	R4H-402	THROTTLE VALVE ASSY. (INC. #37, 38, 39, 40)	1
3	ILA582A1-641	HAMMER CASE BUSHING	1	37	R4H-159	THROTTLE VALVE FACE	1
4	ILA582A1-726	ANVIL	1	38	H54U-352	RETAINING SCREW LOCK WASHER	1
5	HU-527	ANVIL DRIVER PIN	2	39	R4H-157	THROTTLE VALVE FACE CAP	1
6	5820-724	HAMMER	1	40	R4-158	THROTTLE VALVE RETAINING SCREW	1
7	577-714	CAM BALL	2	41	T01-308	SPRING	1
8	ILA582A1-728	HAMMER SPRING	1	42	R4H-566	AIR STRAINER CAP	1
9	ILA582A1-695	HAMMER SPRING THRUST BRG RACE	1	43	R5H-61	AIR STRAINER SCREEN	1
10	D04-280	THRUST BEARING BALL	17	44	R3H-567	AIR STRAINER SCREEN SUPPORT	1
11	ILA582A1-725	ARBOR	1	45	R5H-565	AIR STRAINER BODY	1
12	ILA582A1-729	FRICITION DRIVE WASHER	1	46	ILA582A1-330	REVERSE VALVE BUSHING	1
13	5820-721	BALL CAM	1	47	ILA582A1-A329	REVERSE VALVE ASSY. (INC. #48)	1
14	215-63	BALL BEARING	1	48	HU-730	O RING	1
15	ILA582A1-239	HOUSING COVER GASKET	2	49	ILA582A1-658	REVERSE LEVER	1
16	ILA582A1-720	HOUSING COVER	1	50	R5H-24	BALL BEARING	1
17	ILA582A1-331	GEAR FRAME FRONT SPACER	1	51	R55H-11	FRONT END PLATE	1
18	ILA582A1-8	PLANET GEAR FRAME	1	52	588-3	CYLINDER	1
19	ILA582A1-10	PLANET GEAR	2	53	205-1098	CYLINDER DOWEL	1
20	R4SM-501	PLANET GEAR BEARING	2	54	577-53	ROTOR	1
21	577-191	PLANET GEAR SHAFT	2	55	R5H-42-5	VANE PACKET	5
22	5780-72	GREASE GUIDE	1	56	577-12A	REAR END PLATE	1
23	577-332	GEAR FRAME REAR SPACER	1	57	R5H-65	ROTOR SPACER	1
24	D10-518	BALL BEARING	1	58	R5H-22	BALL BEARING	1
25	ILA582A1-406	INTERNAL GEAR	1	59	577-283	END PLATE GASKET	1
26	ILA578A1-48	ASSIST HANDLE	1	60	ILA582A1-A102	BACKHEAD ASSY. (INC. # 61)	1
27	ILA582A1-A40	MOTOR HOUSING ASSEMBLY	1	61	23-188	GREASE FITTING	1
28	241SR-227	OIL CHAMBER PLUG	2	62	BU-778	BACKHEAD CAP SCREW	4
29	R44H-210A	AIRPORT GASKET	2	63	ILA582A1-1	GRIP HANDLE	1
30	R2-75	OILER FELT	2	64	HRA20A-322	LOCK WASHER	8
31	R2-71	OILER ADJUSTING SCREW	1	65	ILA582A1-68	BACKHEAD CAP SCREW	4
32	WF-109A	THROTTLE VALVE CAP	1	A1	ILA582A1-A727	HAMMER CASE ASSY. (INC. #3, 28)	1
33	R4H-401	THROTTLE BODY	1	A2	R5H-A565	AIR STRAINER ASSY. (INC. #42, 43, 44, 45)	1
34	R4H-273	THROTTLE LEVER	1	A3	577-AL401	LEVER THROTTLE ASSY. (INC. #33, 34, 35, 36, 41, A2)	1
				A4	ILA582A1-A724	HAMMER ASSY. (INC. #6, 7, 8, 9, 10, 11, 12, 13)	1

ATP
 A DIVISION OF HY-TECH MACHINE INC.
 25 LEONBERG ROAD
 CRANBERRY TOWNSHIP, PA 16066
 1-800-245-1148
 www.onlineatp.com
 Email: info@hy-techinc.com