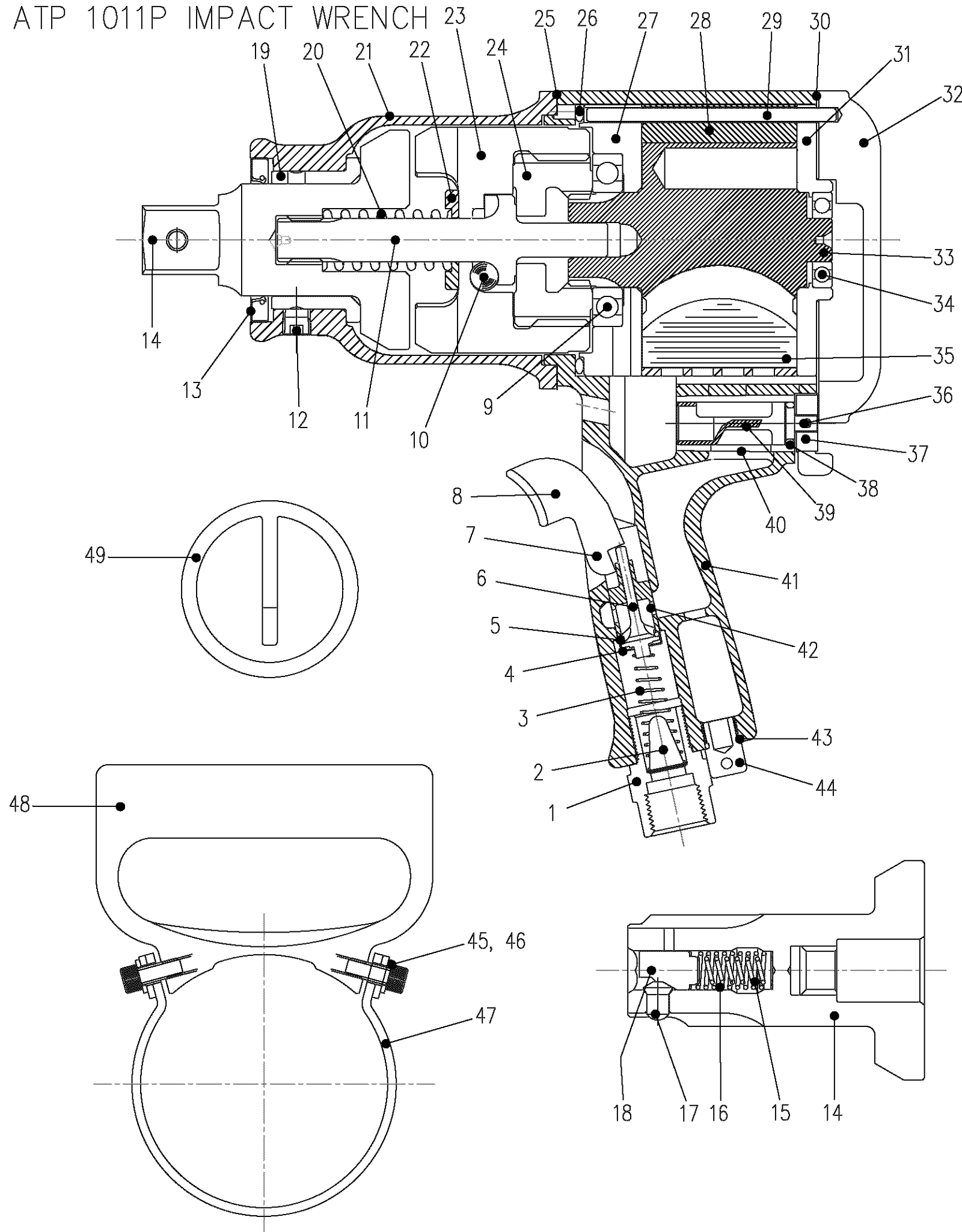


ATP 1011P IMPACT WRENCH



ATP 1011 PISTOL GRIP IMPACT WRENCH

Item #	Part #	Description	Qty:
1	C-094354	THROTTLE CAP	1
2	C-087505	AIR SCREEN	1
3	C-117522	SPRING	1
4	C-106818	O RING RETAINER	1
5	A-043001	O RING	1
6	C-117520	THROTTLE VALVE	1
7	S-002449	NEEDLE ROLLER	1
8	C-087934	TRIGGER	1
9	C-066977	BALL BEARING	1
10	CA-048425	BALL	1
11	C-136169	TIMING SHAFT	1
12	C-054897	PIPE PLUG	1
13	CA-088508	GREASE SEAL	1
14	C-114136	ANVIL 1" SQUARE DRIVE	1
14	CA-128648	ANVIL SPLINE DRIVE (BARE)	1
14	C-112199	ANVIL SPLINE DRIVE (ASSEMBLY)	1
15	C-112202	INNER SPRING	1
16	C-112185	OUTER SPRING	1
17	C-047620	LOCK BUTTON	1
18	C-112191	PLUNGER	1
19	C-112188	CLUTCH BUSHING	1
20	C-136164	COMPRESSOR SPRING	1
21	C-117545	CLUTCH HOUSING (W/BUSHING)	1
22	C-112190	SPRING SEAT	1
23	C-136170	DOG	1
24	C-136165	COUPLING	1
25	C-112186	CLUTCH HOUSING GASKET	1
26	C-136162	O RING	1
27	C-136168	FRONT END PLATE	1
28	C-136166	CYLINDER LINER	1
29	C-136161	DOWEL PIN	1
30	C-117519	GASKET	1
31	C-136167	REAR END PLATE	1
32	C-146888	MOTOR HOUSING COVER	1
33	C-112196	ROTOR	1
34	C-068659	BALL BEARING	1
35	C-112192	ROTOR BLADE SET	1
36	G-071613	ROLL PIN	1
37	C-068664	REVERSE LEVER	1
38	CA-083354	O RING	1
39	C-106819	REVERSE VALVE	1
40	C-083339	REVERSE VALVE BUSHING	1
41	C-142842	MOTOR HOUSING	1
42	C-117517	THROTTLE VALVE BUSHING	1
43	A-082777	O RING	1
44	C-085233	OIL PLUG	1
45	C-064806	SCREW	4
46	S-000271	LOCKWASHER	4
47	C-116388	BAND	1
48	CA-048548	ASSIST HANDLE	1
49	C-155472	RETAINING RING	1
NI	S-067779	SOCKET HEAD CAP SCREWS (MOTOR)	8
NI	S-000456	LOCKWASHER (MOTOR)	8

ATP

A Division of Hy-Tech Machine Inc.
 25 Leonberg Road
 Cranberry Township, PA 16066
 1-800-245-1148
 info@hy-techinc.com
 www.onlineatp.com